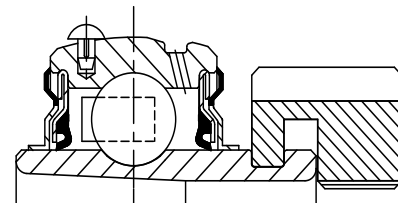
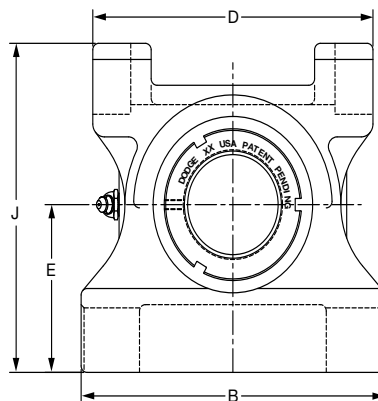
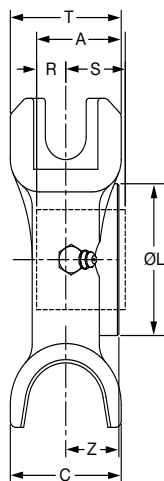




SELECTION/DIMENSIONS

GRIP TIGHT Adapter Ball Bearings GT NORMAL DUTY TOP ANGLE TAKE-UP BEARINGS



Series	Shaft Size	Complete Unit		Unit Without Adapter & Nut		Adapter & Nut Assembly	
		Part No.	Description	Part No.	Description	Part No.	Description
210	1-15/16	136152	TP-GT-115	136231	TP-GT-10	136534	AN-GT-10-115-D
	2	136153	TP-GT-200			136535	AN-GT-10-200-D
211	2	136189	TP-GTM-200	136232	TP-GT-11	136558	AN-GTM-11-200-D
	2-3/16	136154	TP-GT-203			136536	AN-GT-11-203-D
	2-1/4	136155	TP-GT-204			136537	AN-GT-11-204-D
212	2-1/4	136191	TP-GTM-204	136233	TP-GT-12	136559	AN-GTM-12-204-D
	2-7/16	136156	TP-GT-207			136538	AN-GT-12-207-D
214	2-1/2	136193	TP-GTM-208	136234	TP-GT-14	136594	AN-GTM-14-208-D
	2-11/16	136157	TP-GT-211			136548	AN-GT-14-211-D
215	2-15/16	136158	TP-GT-215	136235	TP-GT-15	136560	AN-GT-15-215-D

@ Assembled to order

Series	Shaft Size	Weight lbs	Take-Up Frame Size	A	B	C	D	E	J	L	R#	S#	T	Z
210	1-15/16	11.4	TP10	1.86	6.50	2.38	6.00	3.25	6.38	3.13	0.63	1.23	2.38	1.26
	2	11.2												
211	2	13.7	TP20	1.93	7.00	2.50	6.75	3.38	7.88	3.43	0.67	1.26	2.38	1.32
	2-3/16	13.2												
212	2-1/4	17.2	TP30	2.12	7.50	2.75	7.00	3.50	7.44	3.69	0.73	1.39	2.75	1.46
	2-7/16	17.1												
214	2-1/2	22.5	TP40	2.39	8.50	2.50	8.00	4.00	8.31	4.00	0.94	1.45	2.75	1.58
	2-11/16	22.3												
215	2-15/16	22.4	TP40	2.46	8.50	2.50	8.00	4.00	8.31	4.44	0.95	1.51	2.75	1.60

Lube fitting thread size - 1/8-27 NPT

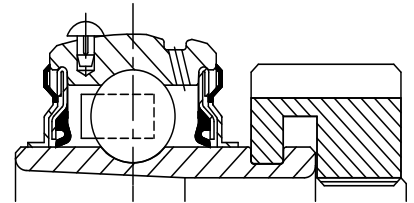
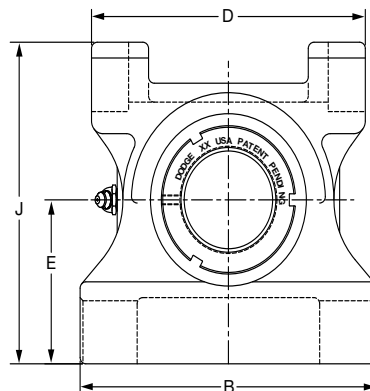
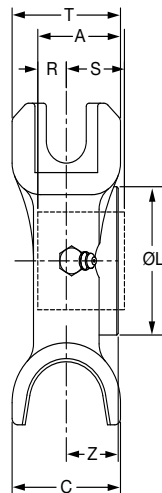
#R & S dimensions will vary slightly depending on true shaft diameter.

FEATURES/BENEFITS PAGE B5-2	HOW TO ORDER/NOMENCLATURE PAGE B5-4	SELECTION PAGE B5-5	RELATED PRODUCTS PAGE B5-70
--------------------------------	--	------------------------	--------------------------------

SELECTION/DIMENSIONS



GRIP TIGHT Adapter Ball Bearings GTM MEDIUM DUTY TOP ANGLE TAKE-UP BEARINGS



Series	Shaft Size	Complete Unit		Unit Without Adapter & Nut		Adapter & Nut Assembly	
		Part No.	Description	Part No.	Description	Part No.	Description
210	1-11/16	136186	TP-GTM 111	136231	TP-GT-10	136544	AN-GTM-10-111-D
	1-3/4	136187	TP-GTM-112			136599	AN-GTM-10-112-D
211	1-15/16	136188	TP-GTM 115	136232	TP-GT-11	136545	AN-GTM-11-115-D
	2	136189	TP-GTM-200			136600	AN-GTM-11-200-D
212	2-3/16	136190	TP-GTM-203	136233	TP-GT-12	136546	AN-GTM-12-203-D
	2-1/4	136191	TP-GTM-204			136601	AN-GTM-12-204-D
214	2-7/16	136192	TP-GTM-207	136234	TP-GT-14	136547	AN-GTM-14-207-D
	2-1/2	136193	TP-GTM-208			136548	AN-GTM-14-208-D
215	2-11/16	136194	TP-GM-211	136235	TP-GT-15	136549	AN-GTM-15-211-D
216	2-5/16	136195	TP-GTM 215	136236	TP-GT-16	136550	AN-GTM-16-215-D
	3	136196	TP-GTM-300			136551	AN-GTM-16-300-D
218	3-7/16	136197	TP-GTM-307	136237	TP-GT-18	136552	AN-GTM-18-307-D
	3-1/2	136198	TP-GTM-308			136603	AN-GTM-18-308-D

Series	Shaft Size	Weight lbs	Take-Up Frame Size	A	B	C	D	E	J	L	R#	S#	T	Z
210	1-11/16	11.6	TP10	1.86	6.50	2.38	6.00	3.25	6.38	3.13	0.63	1.23	2.38	1.26
	1-3/4	11.2												
211	1-15/16	14.0	TP20	1.93	7.00	2.50	6.75	3.38	7.88	3.43	0.67	1.26	2.38	1.32
	2	13.7												
212	2-3/16	17.4	TP30	2.12	7.50	2.75	7.00	3.50	7.44	3.69	0.73	1.39	2.75	1.46
	2-1/4	17.2												
214	2-7/16	22.9	TP40	2.39	8.50	2.50	8.00	4.00	8.31	4.00	0.94	1.45	2.75	1.58
	2-1/2	22.5												
215	2-11/16	26.2	TP40	2.46	8.50	2.50	8.00	4.00	8.31	4.44	0.95	1.51	2.75	1.60
216	2-15/16	31.0	TP50	2.70	9.50	2.75	9.00	4.50	9.63	4.69	0.99	1.71	3.13	1.78
	3	30.7												
218	3-7/16	41.4	TP50	2.80	11.00	3.13	10.50	5.50	11.00	5.19	1.02	1.78	3.13	1.81
	3-1/2	41.1												

Lube fitting thread size - 1/8-27 NPT

#R & S dimensions will vary slightly depending on true shaft diameter.

FEATURES/BENEFITS PAGE B5-2	HOW TO ORDER/NOMENCLATURE PAGE B5-4	SELECTION PAGE B5-5	RELATED PRODUCTS PAGE B5-70
--------------------------------	--	------------------------	--------------------------------